



## SMART FEATURES DELIVER OUTSTANDING VALUE



# KIGGEN

## SMART FEATURES DELIVER OUTSTANDING VALUE

The Kiggen compactors of Geesinknorba are built to offer many smart advantages: outstanding performance, low maintenance costs, smart features and safety. The static compactors are used where large quantities of waste are collected frequently - shopping centres, industrial production facilities and waste transfer stations.

The static compactors can compress the waste fast en efficiently. The large hopper opening allows for an easy and ergonomic loading of large pieces and the tipping device is available for containers from 120 to 1100 litres.

The clean design and the use of quality material, in combination with 90 years of experience in building compactors, offers you reliability and low maintenance costs.

Our static compactors can be equipped with the smartlink system, a reporting system through e-mail and/or sms.





## CLEAN DESIGN WITH NO EXTERIOR REINFORCEMENTS

Clean design with no exterior reinforcements, engineered to discharge with ease. Press containers are rapidly decoupled from the press and can be equipped with the transportation system of your choice. An optional guillotine system ensures a clean, well closed container.

## HIGH-GRADE STEEL

High-grade steel construction for extra strength where required, which delivers longer life.

## BUILD IN HYDRAULICS SAVE SPACE

- The cylinders supply maximum force to avoid bridging or springing back.
- Easy maintenance; low maintenance costs
- Less parts moving parts benefits the reliability of the compactor.
- Less couplings: oil tight, 100% leakproof

## DETAILS OF COMPACTION PLATE

- Smooth interior of the compaction plate, so less cleaning and maintenance is required.
- Cylinder rods are double chromed; the rod is better equipped against corrosion and is more durable.
- Steel on steel conduction: less friction and a high effective compaction power.
- Kiggen uses high strength steel for the compaction chamber and compaction plate to improve durability of the system.
- No waste travels behind the compaction plate since it fits the compaction chamber seamlessly.

## CONTACT-LESS SENSOR

A contact-less sensor gives continuous information on the position and speed of the compaction plate. Because of this no fault sensitive end switches or pressure transmitters are required which increases operational reliability. Speed information is used to take maximal advantage of the available motor power. This ensures that the waste is pressed into the container within a minimum of time.

## DOOR CLOSING

- Standard with rubber closing mechanism. The rubber labyrinth profile is specially designed to ensure that it's 100% leakproof and highly durable.
- With the patented closing mechanism the door will be lifted. The specially designed hooks close the container perfectly. Less moving parts; low maintenance costs.

## DOOR (PATENTED CLOSING SYSTEM)

- Fixed hooks on both sides of the container, no hooks below the container, so less cleaning is required which results in reduced maintenance costs.
- The driver has better visibility because the containers are perfectly closed.
- Easy to operate by just one ratchet

## LARGE HOPPER OPENING

Large hopper opening for an easy and ergonomic loading of bulky waste. An optional, patented tipping device is available to empty containers from 120 to 1100 liter (EN 840-1, EN 840-2 and EN 840-3). And we can offer special hoppers and tipping devices to meet any requirement.

## FULLY AUTOMATIC CONTAINER CHANGE-OVER SYSTEMS

Fully automatic container change-over systems for a fast change of press containers and uninterrupted operations without attendance of personnel.

All our products with the latest safety regulation and carry a CE-certificate to proof it.





## RELIABILITY AND DURABILITY

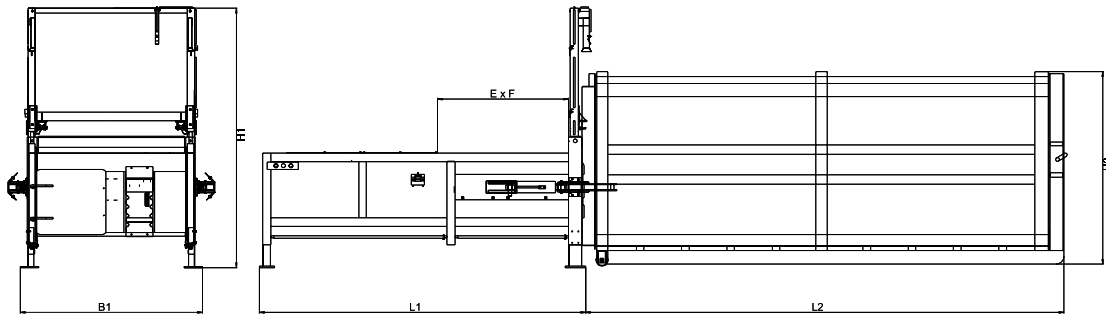
Every Kiggen static compactor is built to deliver what you need most: reliability and durability. Unlike many others, Kiggen compactors are designed with extra features and proven precision components that provide outstanding performance and ease of use.

Engineered for year of hard work these Kiggen static compactors are used where waste is collected frequently: shopping malls, industrial production sites, municipal yards and transfer stations. These static compactors compress the waste into the container and offers just as much capacity as five open containers. You need less space and you save on the costs of frequently transporting waste.

Manufactured under the stringent quality standards, every Kiggen product complies to the latest safety standards and carry a CE certificate to proof it. Plus we back every static compactor with years of experience in engineering in project-management. Work smarter with Kiggen static compactors!

For more information you can contact your Kiggen representative or visit [www.geesinknorba.com](http://www.geesinknorba.com)





## TECHNICAL DATA

Compactor		PD 12/15	PD 15/15	PD 20/15	PD 26/15	PD 20/18	PD 20/20	PD 26/20	PD 34/20	PD 60/20	PD 125/20
Capacity (increased speed), m <sup>3</sup>		120	144 (270)	144 (270)	144 (270)	270	350	350	350	740	1350
Volume compaction chamber, m <sup>3</sup>		1,2	1,5	2	2,6	2	2	2,6	3,4	6	12,5
Stroke volume, m <sup>3</sup>		1,4	1,7	2,2	2,9	2,2	2,3	2,9	3,8	7	11
Cycle time, sec		± 48	± 38 (± 22)	± 49 (± 28)	± 65 (± 35)	± 26	± 22	± 26	± 34	± 38	± 50
Dimensions, mm	L1	3000	3420	4300	5530	4300	3420	4300	5530	6600	11600
	W1	2045	2045	2045	2045	2365	2495	2495	2495	3200	3200
	H1	1510	1490	1490	1490	1370	1490	1490	1490	2680	3040
Dimensions compaction plate, mm	C	740	740	740	740	655	740	740	740	900	1600
	D	1500	1500	1500	1500	1820	1950	1950	1950	1950	2000
Filling opening, mm	E	1040	1200	1640	2255	1630	1200	1640	2255	3000	3000
	F	1500	1500	1500	1500	1820	1950	1950	1950	1900	1900
Filling height (without guillotine), mm A		1250	1250	1250	1250	1170	1250	1250	1250	2680	3040
Compaction plate penetration, mm		320	320	320	320	320	320	320	320	1200	2400
Electrical motor, kW	Power	7,5	11	11	11	11	11	11	11	2x22	2x45
	Supply, V	3x400	3x400	3x400	3x400	3x400	3x400	3x400	3x400	3x400	3x400
Compaction force, kN	Normal: (increased speed)	220	245 (320)	245 (320)	245 (320)	320	320	320	320	625	1000
	Post compaction: (increased speed)	260	306 (405)	306 (405)	306 (405)	405	405	405	405	700	1100
Weight, kg		2300	2800	3100	3400	3000	3200	3000	3500	18000	30000

Options		PD 12/15	PD 15/15	PD 20/15	PD 26/15	PD 20/18	PD 20/20	PD 26/20	PD 34/20	PD 60/20	PD 125/20
Tipping device		Build-up or separate <input type="checkbox"/>									
Hoppers		For all types, various models <input type="checkbox"/>									
Hydraulic coupling claws		N.A.	N.A.	N.A.	N.A.	N.A.	<input type="checkbox"/>	<input type="checkbox"/>	<input type="checkbox"/>	<input checked="" type="checkbox"/>	<input checked="" type="checkbox"/>
Guillotine closing system		N.A.	N.A.	N.A.	N.A.	N.A.	<input type="checkbox"/>	<input type="checkbox"/>	<input type="checkbox"/>	<input checked="" type="checkbox"/>	<input checked="" type="checkbox"/>
Increased compaction force, and -compaction speed		N.A.	<input type="checkbox"/>	<input type="checkbox"/>	<input type="checkbox"/>	N.A.	<input checked="" type="checkbox"/>	<input checked="" type="checkbox"/>	<input checked="" type="checkbox"/>	<input checked="" type="checkbox"/>	<input checked="" type="checkbox"/>
Container change over system		<input type="checkbox"/>	<input type="checkbox"/>	<input type="checkbox"/>	<input type="checkbox"/>	<input type="checkbox"/>	<input type="checkbox"/>	<input type="checkbox"/>	<input type="checkbox"/>	<input type="checkbox"/>	<input type="checkbox"/>
Pre-full warning signal		<input type="checkbox"/>	<input type="checkbox"/>	<input type="checkbox"/>	<input type="checkbox"/>	<input type="checkbox"/>	<input type="checkbox"/>	<input type="checkbox"/>	<input type="checkbox"/>	<input type="checkbox"/>	<input type="checkbox"/>
Level indicator		<input type="checkbox"/>	<input type="checkbox"/>	<input type="checkbox"/>	<input type="checkbox"/>	<input type="checkbox"/>	<input type="checkbox"/>	<input type="checkbox"/>	<input type="checkbox"/>	<input type="checkbox"/>	<input type="checkbox"/>

Container		20 m <sup>3</sup>	22,5 m <sup>3</sup>	25 m <sup>3</sup>	27,5 m <sup>3</sup>	30 m <sup>3</sup>	32,5 m <sup>3</sup>	35 m <sup>3</sup>
Suitable for compactors of guillotine with pins and tube-sealing with guillotine-sealing		<input checked="" type="checkbox"/>	<input checked="" type="checkbox"/>	<input checked="" type="checkbox"/>	<input checked="" type="checkbox"/>	<input checked="" type="checkbox"/>	<input checked="" type="checkbox"/>	<input checked="" type="checkbox"/>
		<input checked="" type="checkbox"/>	<input checked="" type="checkbox"/>	<input checked="" type="checkbox"/>	<input checked="" type="checkbox"/>	<input checked="" type="checkbox"/>	<input checked="" type="checkbox"/>	<input checked="" type="checkbox"/>
Measurements container	L2	4120	4620	5120	5620	6120	6620	7120
Includes one transport system	W2	2500	2500	2500	2500	2500	2500	2500
At choice, based on INP 180, mm	H2	2550	2550	2550	2550	2550	2550	2550
Weight, kg		2180	2350	2470	2610	2970	3160	3460

Standard with: separate control panel, build in power unit, magnetic strip for locating ram position. Standard sealing with pins and tubes.

The manufacturer reserves the right to modify design and equipment without previous notice.

standard  optional N.A. not applicable