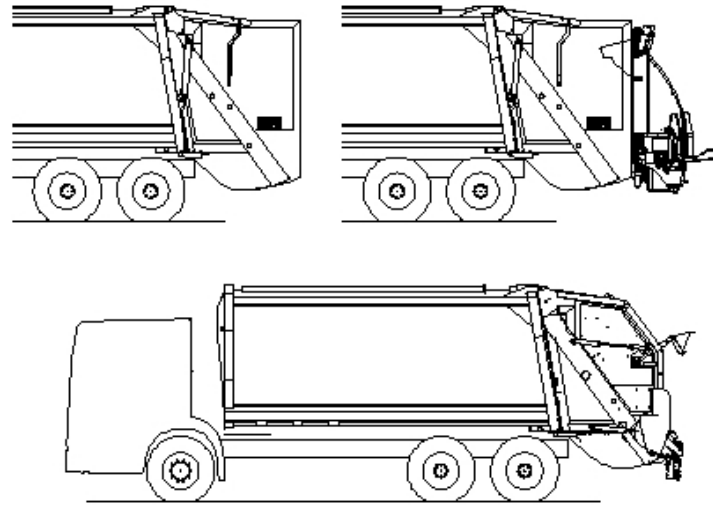


# Geesink Norba N2-9L22



The N2 Narrow series of rear-loading frontline vehicles for both trade and domestic collections, range from 8m<sup>3</sup> to more than 16m<sup>3</sup> in size.

The bodies - either low or high - are smooth-sided with a keel floor for self-drainage and the hopper, tailgate and compaction and ejection plates designed for easy maintenance

The Smartpack System<sup>TM</sup> controls bin lift speeds and other functions independently of the loading weight. Automatic sensing of how much pressure is needed helps fuel economy.

They can operate with either Geesink Norba's Trade lifts or Trade and Winch lifts as well as third party lifts. In-cab controls allow adjustment of operational variables including compaction parameters.

The vehicle is available with the super-green Plug-in Electric functionality. The market-leading Eurovim telemetrics system is built in and the Eurovim Plus advanced system can be added.

For further information contact us on 01443 220633 or 07801 809240.

To arrange a demonstration of this vehicle contact us on 01443 220635.

To get a quote on the cost of this vehicle contact us on 01443 220632.



## GEESINKNORBA

Llantrisant Business Park Llantrisant Pontyclun CF72 8XZ  
Tel: +44(0)1443 222301 Fax: +44(0)1443 220 637  
[www.geesinknorba.com](http://www.geesinknorba.com) [sales.uk@geesinknorba.com](mailto:sales.uk@geesinknorba.com)

## N2-9L22

Series	N2-
Product name	N2-9L22
Formerly known as	RL200 8.6
Uses	Rear Loader
Body fabrication	Fully Welded
Body access door	Standard
Body construction	Smooth sided with keel floor for self drainage
Width	the widest point of the body, 2220mm
Body capacity	, RL200 8.6 m3
Height	from bottom of the bottom of the body to the top, 1925mm
Length	Body, 3225mm
Blade back off relief valve	Yes
Cycle time packing mechanism	13-17 sec.
Floor and Side Walls Construction	High Tensile
Automatic Discharge Clearing Cycle	Yes
Packing mechanism in matt black	Colour coding chargeable extra, Yes
Automatic Integral Tailgate Locks	Adjustable, Yes
Maintenance of Carriage Plate	Easy maintenance without removing carriage plate
Slide Blocks	Nylon 66
Ejector Blade in matt black	Yes
Double Acting Ejector Cylinder	Yes
Maintenance of Ejector Blade	Easy maintenance without removing ejector blade
Pump	Double Pump or Smartpack Pump
Sensors	Vane Pump or Load sense
Hydraulic tank volume	185 litres
Pressure control valves	Yes
Main relief valve setting	255 bar
Adjustable Counter Pressure Operated from Display in Chassis Cabin Control Box	Yes

## N2-9L22

User programmable pressure settings	In Cabin Control Box
Eurovim Plus available (option)	Yes
Fault diagnosis	In Cabin Control Box
Bin Lift Counter on Integrated Models	In Cabin Control Box
Controls	Euro Vim Can Bus System
Press Cycle Counter	In Cabin Control Box
Operating Hour Counter	In Cabin Control Box
Manual	Standard
Maintenance Free	Optional
Automatic	Optional
Compliance	EN1501
Manuals/training	Scheduled operator training available. User and Service manual supplied
Warranty	1 year standard parts and labour warranty with optional extension packages
Trade	Yes
Trade & Winch	Yes
Third Party Binlifts available on request (High Bodies Only)	Yes

